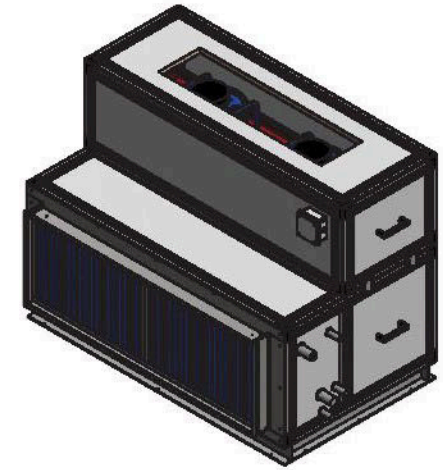
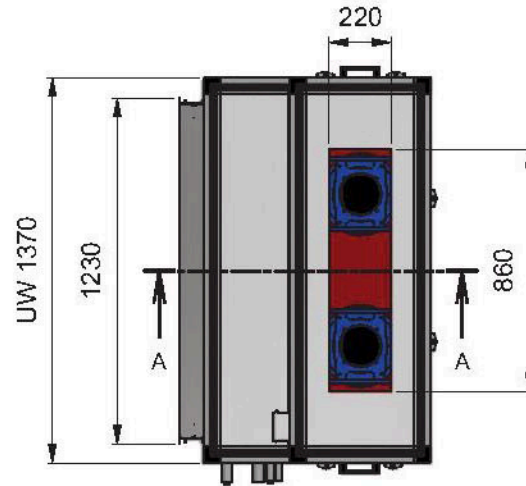
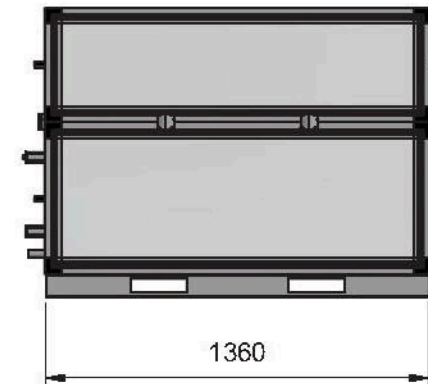
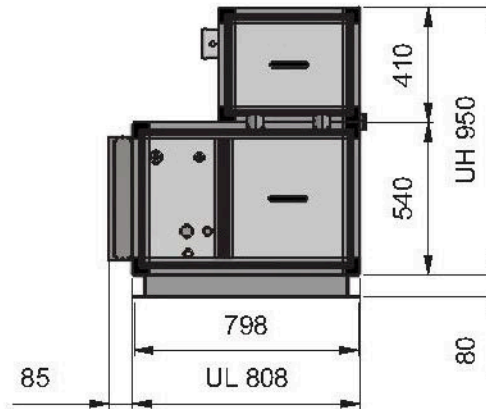
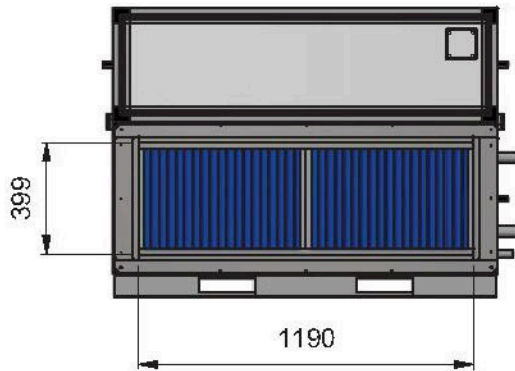
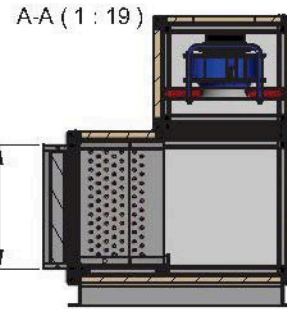




View ISO 1(1:20)



View ISO 2(1:20)



MAX S/A (HORIZONTAL) : 220X860mm

UNLESS OTHERWISE SPECIFIED
DIMENSIONS ARE IN MILLIMETRES
BELOW AND ABOVE ALL DIMENSIONS

3rd ANGLE
PROJECTION

DO NOT SCALE DRAWING

000	Leon	4/15/2017	Initial Released
Rev	By	Date	Description

Fantech Pty Ltd. © A.C.N. 095 434 024 45 NESTOR DRIVE, MEACOWBROOK, QUEENSLAND AUSTRALIA 4131 TELEPHONE (07) 32 999 938 FACSIMILE (07) 32 999 800			
DRAWN: Leon	DATE: 2017/7/22	General Layout, Cabinet, ML1B-V204-DA-FCO	
CHKED: Sean	DATE: -	GR25C(Y73721)X2	
APPRD: JT	DATE: -	SLIMthem SLV 0680	
DRAWING NO: 869-3003-0204	REV: /00	SCALE: 1:19	SIZE: A3